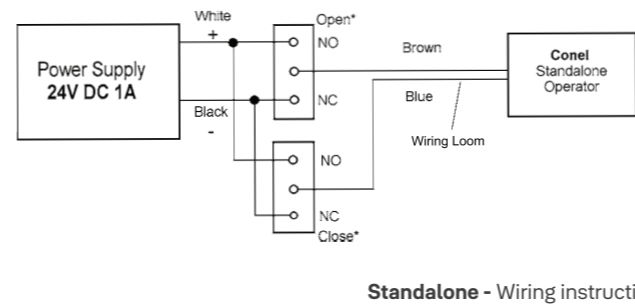
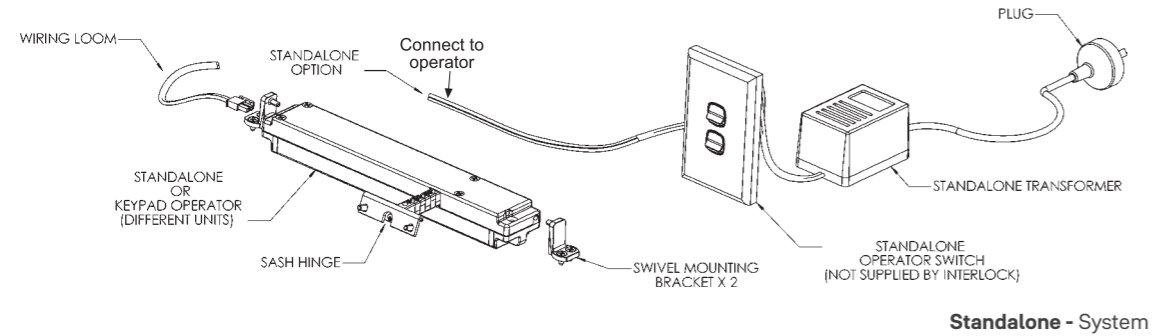


Retrofit Conel with Aeron Actuator - Instructions



Standalone system Retrofit

Existing System- Conel Standalone option



Wiring circuit guide:

1. Determine if AC or DC transformer is being used for Conel
2. 24V DC transformer must be used to power Aeron actuator
3. Existing Standalone Conel 24VDC transformer can be retained
4. Existing wiring can be reused for the Aeron power supply
5. Determine Conel chain opening length (150mm or 250mm)
6. Turn off system power
7. Disconnect power supply cables from Conel
8. Remove Wall switch cover. Disconnect/bypass power cables from switches connecting directly to the actuators. Connect power cable to Aeron window operator. Extend power cables if required

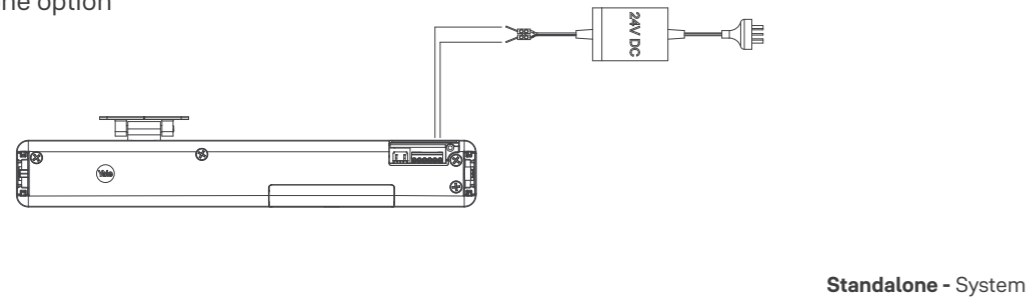
Mechanical Installation:

1. Unscrew/remove Conel sash bracket from the window
2. Remove pivot brackets or fixing screws and remove Conel from the window sill
3. Follow Aeron window actuator installation instruction on how to install Aeron Actuator
4. Once Aeron Actuator is installed, restrict its opening length to match Conel as closely as possible. (150mm Conel = 100mm Aeron, 250mm Conel = 200mm Aeron window opening)
5. Connect wireless hub with Aeron actuators using Remote or Yale Home app. Refer quick start guide

Notes:

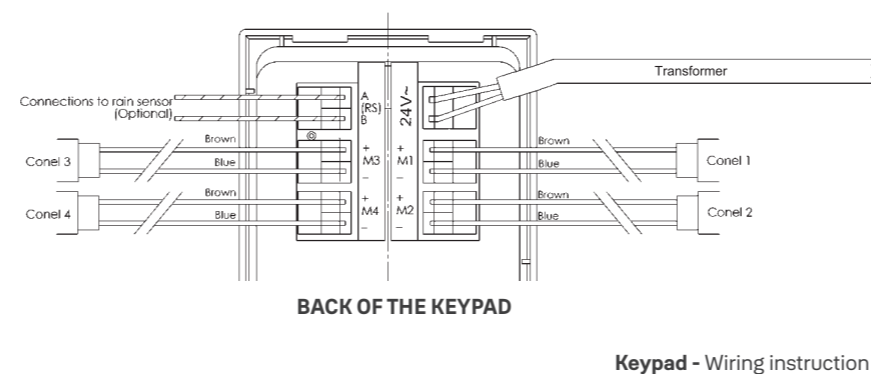
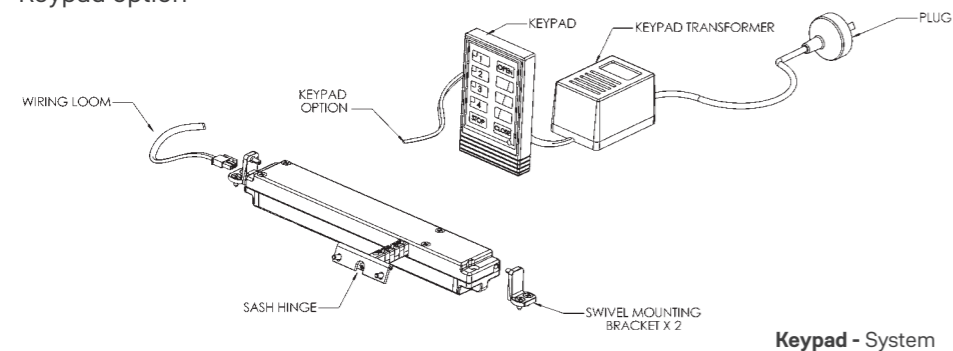
1. Existing screw holes may need to be filled and new holes needs to be drilled
2. While drilling new holes take extreme care to avoid drilling into the glazing/glass
3. Aeron Actuator cannot use Conel wall switch setup
4. Aeron system must be connected with the hub to use wireless Remote
5. Conel rain sensor will not work with Aeron. New rain sensor and rain sensor adaptor will be required

New System- Aeron Actuator Standalone option



Keypad system Retrofit

Existing System- Conel Keypad option



Wiring circuit guide:

1. Determine if AC or DC transformer is being used for Conel
2. DC transformer must be used to power Aeron actuator
3. Existing Keypad Conel 24VAC transformer cannot be used
4. New 24VDC transformer must be connected to run Aeron Actuator
5. Conel keypad cannot be used with Aeron Actuator so keypad must be disconnected
6. Existing wiring can be reused for the Aeron power supply
7. Determine Conel chain opening length (150mm or 250mm)
8. Turn off keypad power
9. Disconnect power supply cables from Conel system
10. Remove Keypad cover. Disconnect power cables from keypad. Reconnect power cables using 24VDC transformer to Aeron actuators. Extend power cables if required

Mechanical Installation:

1. Unscrew/remove Conel sash bracket from the window
2. Remove pivot bracket and take out Conel from the window sill
3. Follow Aeron window actuator installation instruction on how to install Aeron Actuator
4. Once Aeron Actuator is installed, restrict it's opening length to match Conel as closely as possible (150mm Conel = 100mm Aeron, 250mm Conel = 200mm Aeron window opening)
5. Connect wireless hub with Aeron actuators using Remote or Yale Home app. Refer quick start guide.

Notes:

1. Existing screw holes may need to be filled and new holes needs to be drilled
2. While drilling new holes take extreme care to avoid drilling into the glazing
3. Aeron Actuator cannot use Conel keypad
4. Aeron system must be connected with the hub to use wireless remote or Yale Home App
5. Conel rain sensor will not work with Aeron. New rain sensor and rain sensor adaptor will be required

New System- Aeron Actuator Keypad option

